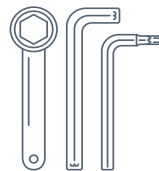
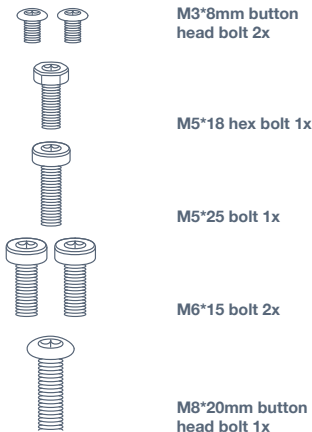
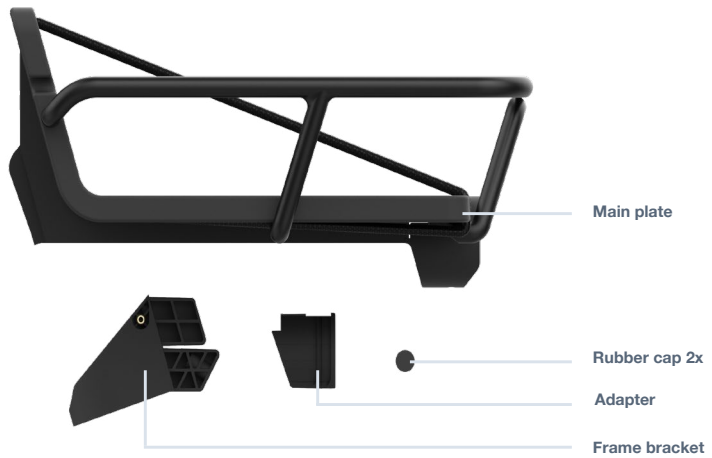


RIDE
THE FUTURE

FRONT CARRIER
ASSEMBLY MANUAL

Front Carrier for S3 - Assembly manual

Parts and tools



8 mm Wrench
Allen key #2
Torx key T10

Allen key #3 & #5
(included in the toolbox
that comes with your S3
or X3)

1. Remove the light and place adapter

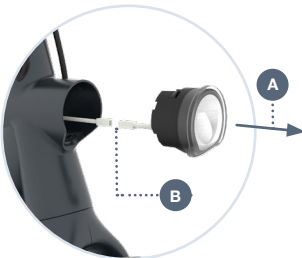
1.1 First, remove the cap of the front light, not damaging the paint.



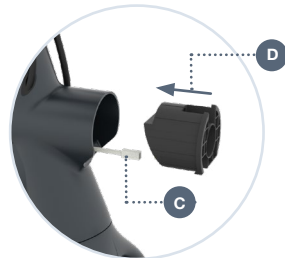
1.2 Remove the M3 set-screw with anti-theft Torx key #T10, set this screw aside, you need to reuse it later on.



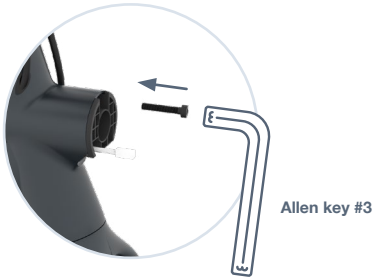
1.3 Slide the front light out of the frame (A) and unplug the connectors (B).



1.4 Guide the light cable connector through the hole in the bottom of the adapter (C) and slide the S3 adapter into the head tube until it touches the edge of the frame (D).



- 1.5 Screw the M5*25 bolt with Allen key #3 to the frame.



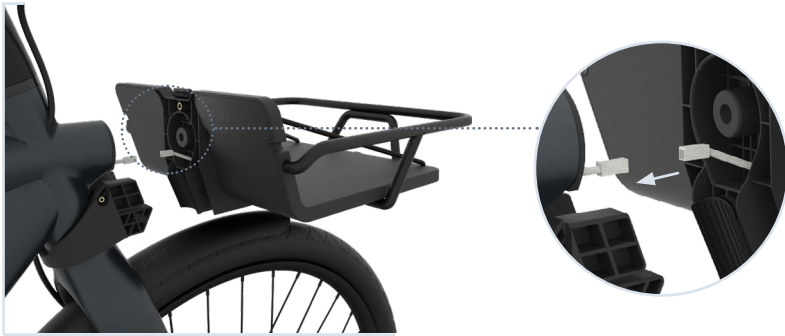
- 1.6 Rotate handlebar to the right and snap the Frame Bracket over the frame of the bicycle, with the flat side pointing towards the front of the bicycle. Slide upwards so it does not touch the front fork.



2. Connect and stow away the light connectors

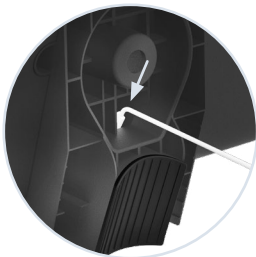
Note In this manual we install the carrier with the metal basket. If you want to use the carrier without the metal basket, first follow step A on page 8 before continuing with step 2.1.

2.1 Bring the plate to the bicycle and plug the connector from the bicycle in the connector of the main plate.



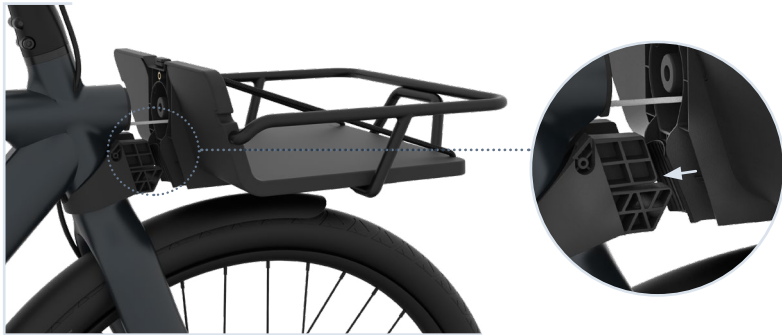
2.2 When plugged in, gently push the connectors in the ribs on the backside of the main plate.

2.3 Gently pull the connector in the front of the carrier, all recess cable length should be in the front of the product. Check if no cables hanging loose on the bottom of the plate.



3. Mount the main plate to the adapter and frame bracket

- 3.1** Slide the main plate over the 'nose' of the bicycle. Make sure the cable doesn't get squeezed between the plastic and the frame. Guide the frame bracket between the ribs of the main plate.



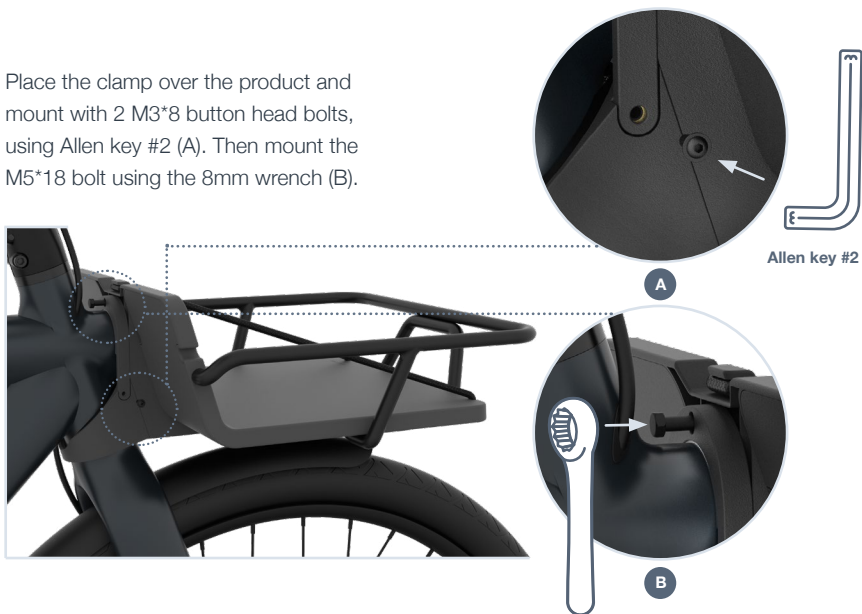
- 3.2** Tighten the M8*20 bolt (including washer) to mount the main plate to the adapter, using Allen key #5.



- 3.3** Mount the two M6*15 bolts with Allen key #5 (including washers) to fixate the main plate to the bracket.



- 3.4** Place the clamp over the product and mount with 2 M3*8 button head bolts, using Allen key #2 (A). Then mount the M5*18 bolt using the 8mm wrench (B).

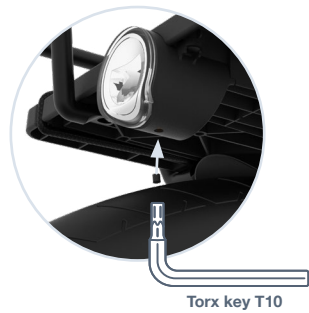


4. Place the front light back on

4.1 Plug the connector of the front light into the connector of the cable that comes out of the light cover (part of the front carrier).



4.2 Gently pull the cable towards the front of the product, and stow away recess cable inside the light cover. Now slide in the front light (A) and fixate it with the set-screw, using anti-theft Torx #T10. (B).



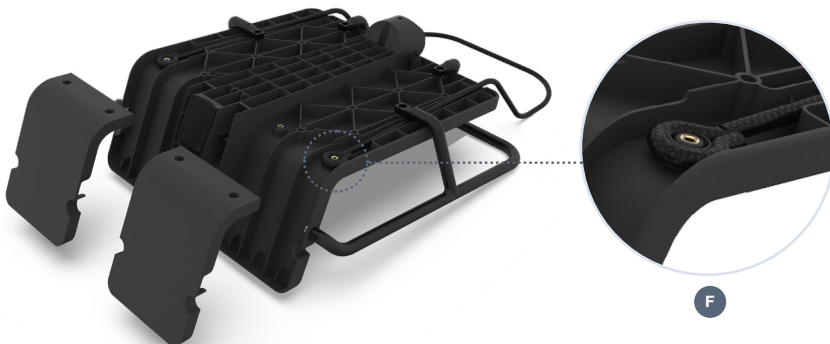
A. Removal of the metal basket (optional)

Note Only proceed in this step if you want to use the carrier without the metal basket.

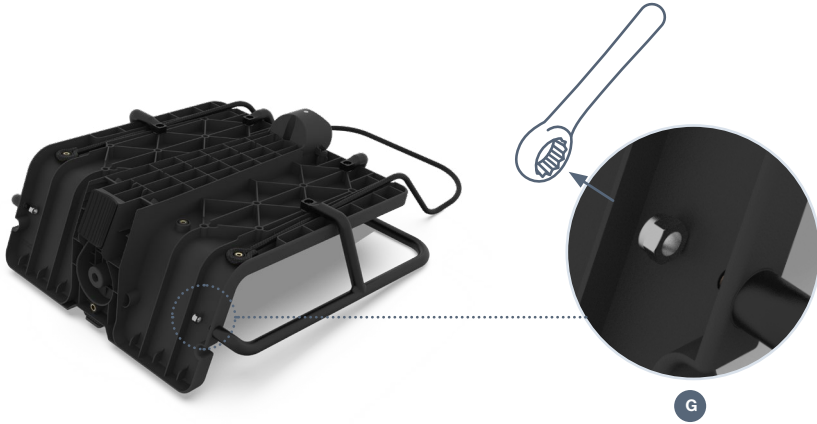
A.1 Remove the four M4*6mm bolts from the bottom of the back covers of the main plate (E), using Torx key #10.



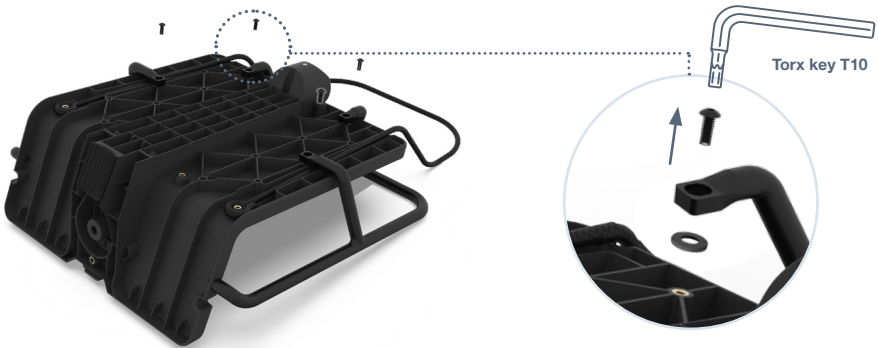
A.2 Remove the back covers from the main plate. The loop of the elastic cords should remain around the outside screw studs (F).



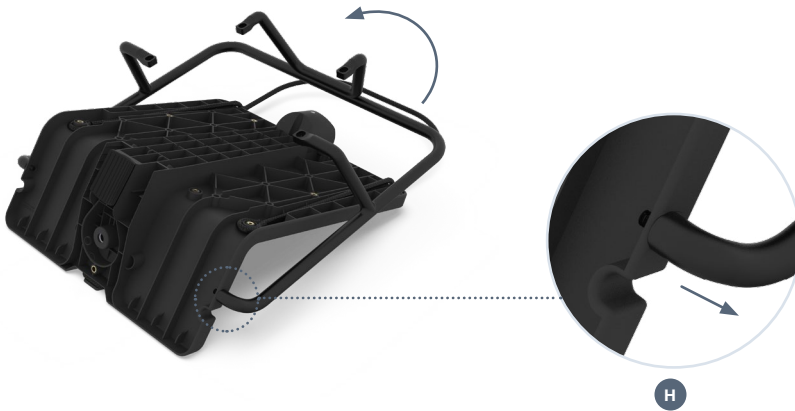
- A.3** Remove two M5 nuts from the threaded ends of the basket with the 8mm wrench on the backside of the product (G).



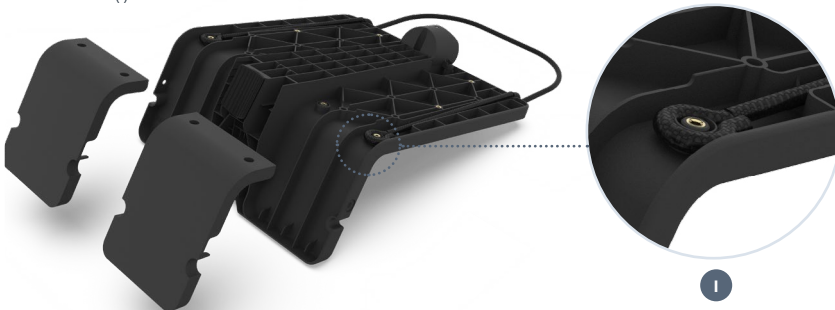
- A.4** Remove the four M4*10 bolts and its washers from the bottom of the main plate, using Torx key #10.



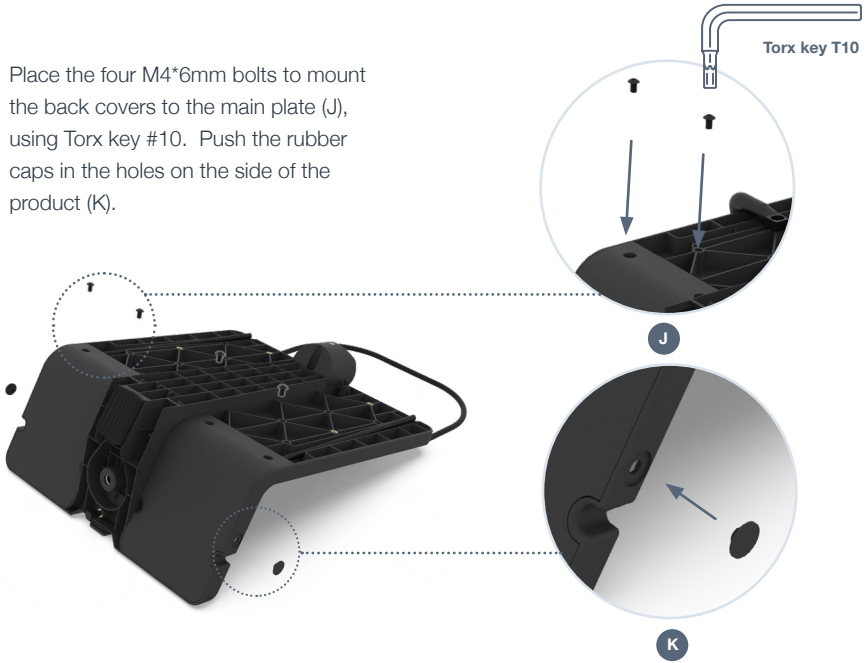
- A.5** Pull the threaded ends of the basket from the holes on the sides of the plastic main plate (H). Remove the basket.



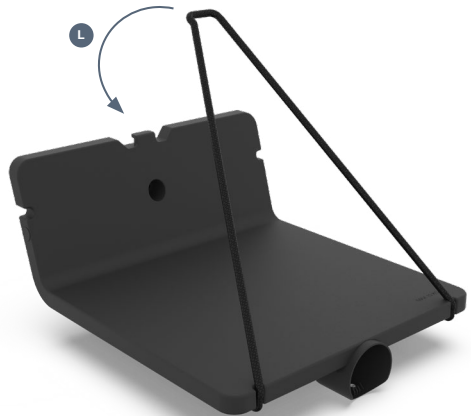
- A.6** Slide the back covers back on the main plate. The loop of the elastic cords should sit around the outside screw studs (I).



- A.7** Place the four M4*6mm bolts to mount the back covers to the main plate (J), using Torx key #10. Push the rubber caps in the holes on the side of the product (K).



- A.8** Attach the loop of the elastic cord over the hook on the top side of the plate (L). Continue to step 2 on page 4, to assemble the carrier on the bicycle.





Warnings & disclaimer

 **WARNING** This front carrier is only compatible with the Vanmoof S3 frame, do not use it on other frames or for other purposes.


 **WARNING** Do not attempt to carry passengers(including children) or animals on the front carrier.


 **WARNING** Don't modify the product and only use original parts.

 **WARNING** Install the product according to the manual, make sure to use the assigned tightening torque for each specific bolt. Assigned torques are the following: M5*25 bolt: 4Nm, M4*10 bolts: 2Nm, the M5 nuts: 3Nm, M4*6 bolts: 2Nm, M8*20 bolt: 12Nm, M6*15 bolt: 5Nm, M3*8 bolts: 1Nm, M5*18 bolt: 1Nm, set-screw: 1Nm. Use a torque wrench to see the specific torque.

 **WARNING** Don't engage in any extreme riding, such as jumping and off-road cycling when using carriers.

 **WARNING** Never exceed the maximum loading capacity of 10 kg (22lbs).

 **WARNING** Make sure all the fasteners of the carrier are tightened before your ride, and the front carrier does not show any damage.

 **WARNING** Make sure to always keep the elastic cords attached to the rear side of the front carrier. You should have no loose hanging straps on any kind of luggage, which could be caught up by the turning wheels of your bike.

 **WARNING** Make sure the luggage does not cover the front light.

VANMOOF