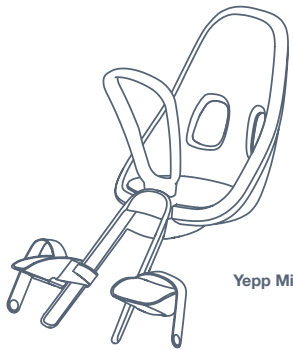
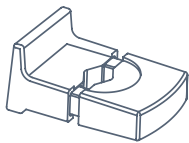


Front child seat for X3 - Assembly manual

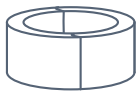
Parts and tools



Yepp Mini child seat



Yepp Mini adapter



Spacer (included in S3 packaging)

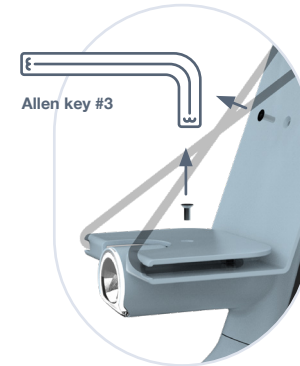


Allen key #3, #4, #5 & #8

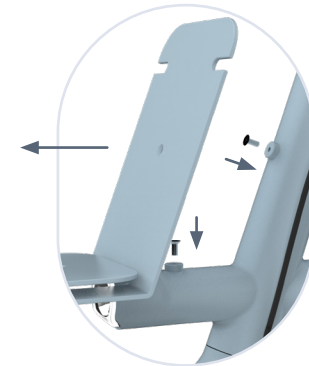
1. First, loosen the bolt of the cable guide that is located on the rear side of the metal front plate using the Allen key #4.



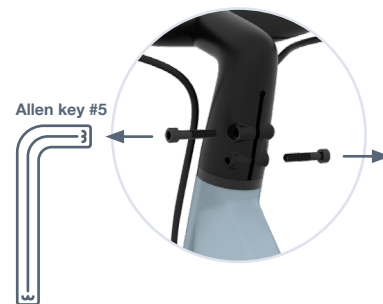
2. Unscrew the two bolts that mount the metal front plate with the frame using Allen key #3.



3. Remove the metal front plate, and place the two bolts back in after the plate is removed.



4. Then, loosen the bolts on the side of the handlebar using the Allen key #5.



5. Lift it up to the top of the internal stem, then tighten one of the bolts to keep it in position. Be careful to not detach the handlebar completely.



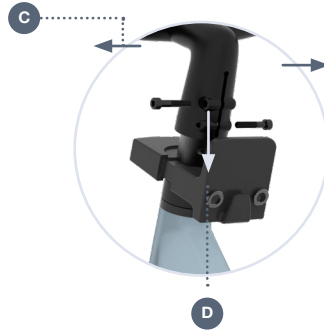
6. Place one pair of spacers over the internal stem (A). Then slide them down into each other (B).



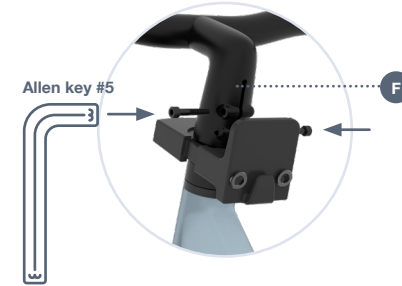
7. Place the adapter over the internal stem, on top of the spacer. Do not tighten the adapter yet.



8. Loosen the bolts (C) and gently slide the handlebar down (D).



9. Make sure the stem is in line with the front wheel (E). Tighten both bolts to secure the handlebar position (F).



10. Make sure the child seat adapter is in line with the handlebar. Tighten the two screws on the rear of the adapter using Allen key #8.



- Tip** The handlebar should rotate freely and swing to either side. If it doesn't, you'll have to adjust the height a little bit.

To check for play, hold the front brake and place one hand on your headset, as you rock the bike forward and backward. If the headset is loose, you'll feel it – lower the handlebar a little.

11. Place the child seat onto the adapter. Make sure to follow the instructions included with the child seat.

